

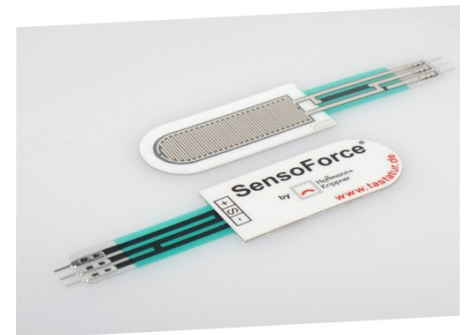


DATASHEET

SensoForce Type-A

Features:

- Flexible and thin printed force sensor
- Sensor with thick-film technology
- Changes voltage depending on pressure
- Finger actuated force sensor

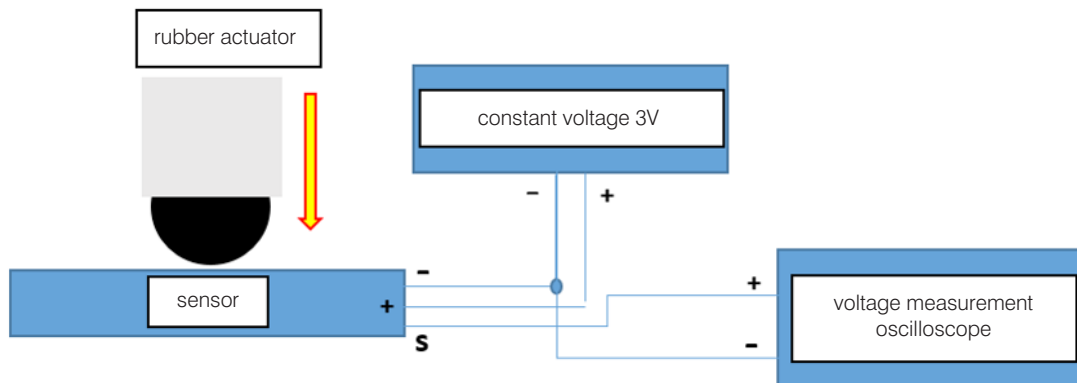


Type:	A
Measuring principle:	Thick-film FSR technology
Measuring parameters:	Force
Electrical contact:	Solder pads
Force actuation:	Rubber test finger (actuator / finger)
Supply voltage:	max. 5V
Shielding:	None
Temperature range:	-30 °C to +70 °C
Measuring range:	10 N
Measuring displacement:	< 0.25mm
Overload range:	100N
Resolution:	Analog
Accuracy:	approx. +/- 0.5N
Lifetime:	1 million operations



DATASHEET
SensoForce Type-A

Pin assignment and operation of the sensor:



Dimensions:

