

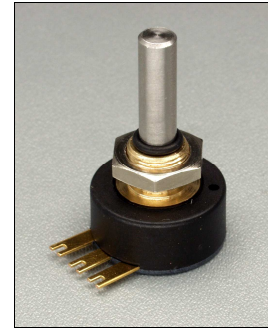
Precision – Wirewound – Potentiometer T18

Single- and Multiple version



mechanical data

- 1.1 housing..... : plastic
- 1.2 shaft..... : stainless steel $\varnothing 6^{h9}$
- 1.3 bearing..... : maintenance-free sliding bearing
- 1.4 resistor element..... : precision wire winding
- 1.5 slider tap / wiper tap..... : noble metal, single
- 1.6 housing protection class..... : IP60
- 1.7 mounted by..... : central fixing M10 x 0,75
- 1.8 mechanical rotation angle..... : $320^\circ + 5^\circ$
- 1.9 electrical rotation angle..... : $320^\circ - 1^\circ + 2^\circ$
- 1.10 rotation speed..... : max. 60 rpm
- 1.11 torque..... : according to table
- 1.12 rotation load life..... : 1×10^6 slider path (360°)
- 1.13 end-stop strength..... : 50 Ncm

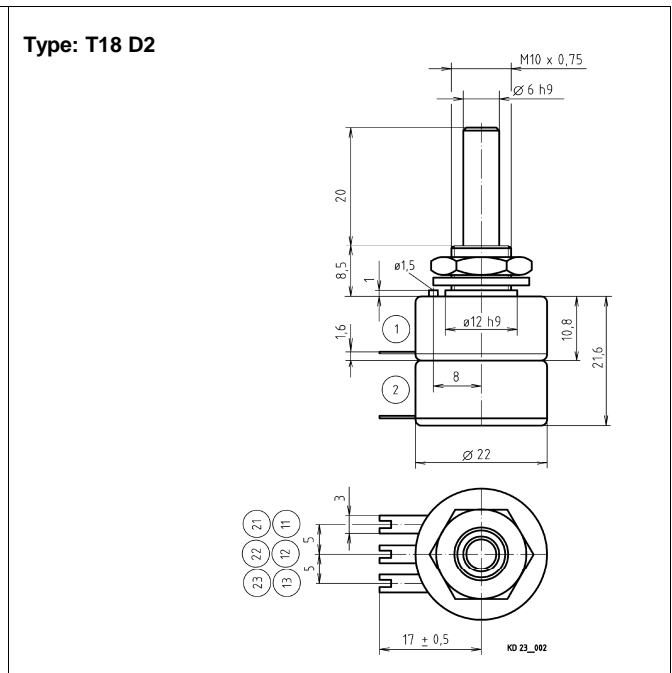
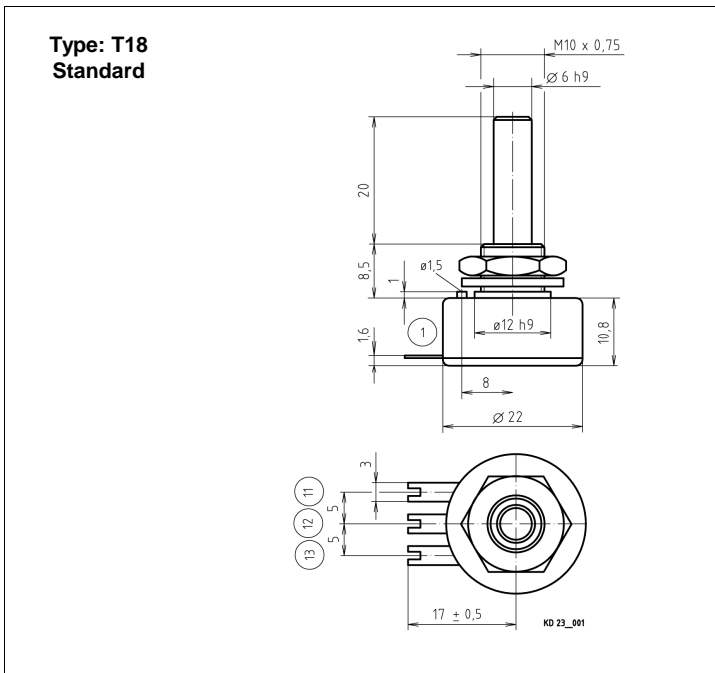
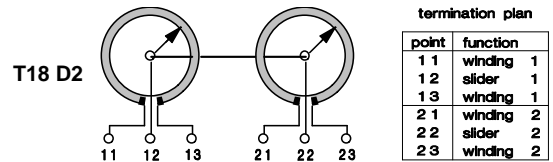
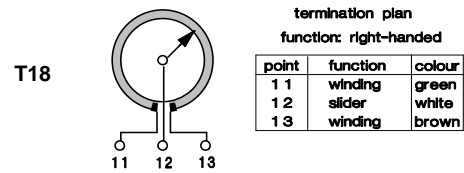


electrical data

- 2.1 resistance values, standard..... : 1, 2, 5, 10 K-Ohm
- 2.2 resistance values, max.possible. : 10 K-Ohm
- 2.3 resistance tolerance..... : $\pm 5\%$
- 2.4 max. starting resistance..... : 1% of overall resistance
- 2.5 linearity tolerance..... : $\pm 0,5\%$
- 2.6 insulation resistance..... : 1000 M-Ohm
- 2.7 test voltage..... : 500 V, 50 Hz
- 2.8 operating voltage..... : max. 50 V
- 2.9 power rating..... : max. 1,5 Watt
- 2.10 slider load current..... : 1 mA (max., load life)

environmental conditions

- 3.1 temperature range..... : -40°C till $+125^\circ\text{C}$
- 3.2 temperature coefficient..... : 50 ppm/ $^\circ\text{C}$



Type	Option
T18 Standard up to 100 pcs.	--
T18 Standard as from 100 pcs.	--
T18 D2	--
T18 – 101 up to 100 pcs.	shaft length 12 mm
T18 – 101 as from 100 pcs.	shaft length 12 mm

Shaft protection class	Torque
IP 60 (Standard)	0,5 till 1,0 Ncm
IP 65 (Option)	1,0 till 3,0 Ncm
IP 67 (Option)	1,0 till 3,0 Ncm

Sheet #: KE2301

Amendment / Print: 02.05.13 / 07.05.13

ALTMANN Potentiometer

Herringhauser Straße 29
32051 Herford - Germany

P.O. Box 11 42
32001 Herford - Germany

Phone: 05221/3404-0
Fax: 05221/3404-29

www.altmann-gmbh.de
eMail: info@altmann-gmbh.de

Subject to technical amendments
Form.#: Am04-10