

Precision – Wirewound – Potentiometer T18 Lt

Single- and Tandem version

mechanical data

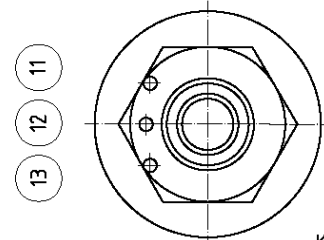
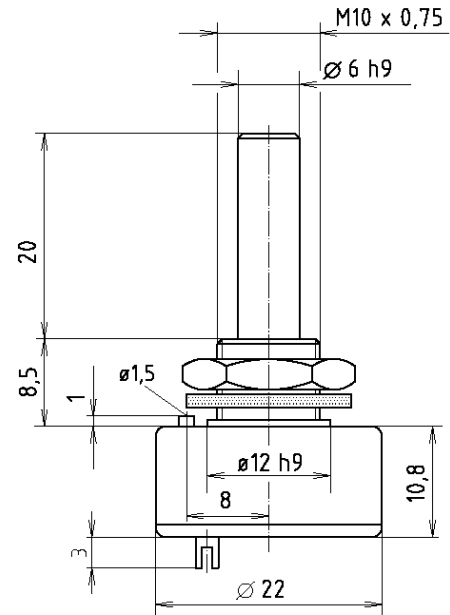
- 1.1 housing..... : reinforced glass fibre plastic
- 1.2 shaft..... : stainless steel $\varnothing 6^{h9}$
- 1.3 bearing..... : maintenance-free sliding bearing
- 1.4 resistor element..... : precision wire winding
- 1.5 slider tap / wiper tap..... : noble metal, single
- 1.6 housing protection class..... : according to table
- 1.7 mounted by..... : central fixing M10 x 0,75
- 1.8 mechanical rotation angle..... : $320^{\circ} +5^{\circ}$
- 1.9 electrical rotation angle..... : $320^{\circ} -1^{\circ} +2^{\circ}$
- 1.10 rotation speed..... : max. 60 rpm
- 1.11 torque..... : according to table
- 1.12 rotation load life..... : 1×10^6 slider path (360°)
- 1.13 end-stop strength..... : 50 Ncm

electrical data

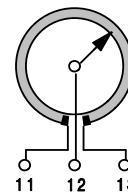
- 2.1 resistance values, standard..... : 1, 2, 5, 10 K-Ohm
- 2.2 resistance values, max.possible. : 10 K-Ohm
- 2.3 resistance tolerance..... : $\pm 5\%$
- 2.4 max. starting resistance..... : 1% of overall resistance
- 2.5 linearity tolerance..... : $\pm 0,5\%$
- 2.6 insulation resistance..... : 1000 M-Ohm
- 2.7 test voltage..... : 500 V, 50 Hz
- 2.8 operating voltage..... : max. 50 V
- 2.9 power rating..... : max. 1,5 Watt
- 2.10 slider load current..... : max. 1 mA

environmental conditions

- 3.1 temperature range..... : -40°C till $+125^{\circ}\text{C}$
- 3.2 temperature coefficient..... : 50 ppm/ $^{\circ}\text{C}$
- 3.3 vibration strength..... : 10 till 500 Hz/ 1g



KD 23_003



termination plan
function: right-handed

point	function	colour
1 1	winding	green
1 2	slider	white
1 3	winding	brown

Shaft protection class	Torque
IP 60 (Standard)	0,5 till 1,0 Ncm
IP 65 (Option)	1,0 till 3,0 Ncm
IP 67 (Option)	1,0 till 3,0 Ncm