

Precision Conductive Plastic Potentiometer LPT18 St / Lt

Plug or solder connection, maintenance-free sliding bearing

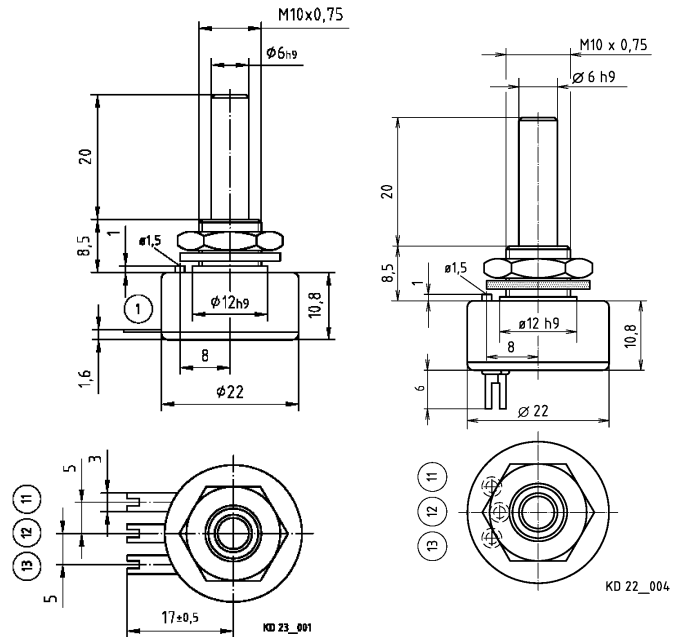


mechanical data

- 1.1 housing..... : reinforced glass fibre plastic
- 1.2 shaft..... : stainless steel $\phi 6^{h9}$
- 1.3 bearing..... : maintenance-free sliding bearing
- 1.4 resistor element..... : conductive plastic
- 1.5 slider tap / wiper tap..... : multiple tap
- 1.6 housing protection class..... : IP 60
- 1.7 type of connection..... : according to table
- 1.8 mounted by..... : central fixing M10 x 0,75
- 1.9 mechanical rotation angle..... : according to table
- 1.10 electrical rotation angle..... : according to table
- 1.11 rotation speed..... : max. 500 rpm
- 1.12 torque..... : 0,6 till 1,5 Ncm
- 1.13 rotation load life..... : 1×10^6 slider path (360°)
- 1.14 end-stop strength..... : 50 Ncm

electrical data

- 2.1 resistance values, standard..... : according to table
- 2.2 resistance tolerance..... : according to table
- 2.3 linearity tolerance..... : $\pm 2\%$
- 2.4 insulation resistance..... : 20 M-Ohm
- 2.5 test voltage..... : 500 V, 50 Hz
- 2.6 power rating..... : max. 1 Watt
- 2.7 slider load current..... : 1 mA (max., load life)
- 2.8 temperature range..... : -20 till +100°C
- 2.9 temperature coefficient..... : ± 500 ppm/°C



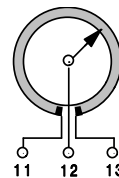
LPT18 St

LPT18 Lt

Attention!
soldering time: max. 5 sec
soldering temperature: max. 350°

terminal plan

| type | connection |
|----------|-------------------|
| LPT18 St | plug connection |
| LPT18 Lt | solder connection |



| point | function |
|-------|-----------|
| 11 | beginning |
| 12 | winding |
| 13 | end |

| resistance | electr. rotation angle | tolerance | mechan. rotation angle | application purpose |
|------------|------------------------|-----------|------------------------|---------------------|
| 1K | 320° | 15% | 320° | voltage divider |
| 2K | 320° | 15% | 320° | voltage divider |
| 5K | 70° | 10% | 270° | voltage divider |
| 10K | 270° | 10% | 280° | voltage divider |

Other values upon request.

options

shaft: special length, special versions
torque increased: up to 12 Ncm
protection class upto IP67, shaft-side
protection class upto IP67* complete

accessories

protective housing
bellows coupling
slip coupling
scale 0 till 100%
rotary knob
terminal wires

* Potentiometer housing encapsulated, protection class IP65/67, connections are free.
Completely encapsulated potentiometers are supplied with cable and protective housing.

Sheet #: KE2202
Amendment/ Print: 13.12.13 / 17.12.13

ALTMANN Potentiometer

Herringhauser Straße 29
32051 Herford - Germany

P.O. Box 11 42
32001 Herford - Germany

Phone 05221/3404-0
Fax: 05221/3404-29

www.altmann-gmbh.de
eMail: info@altmann-gmbh.de

Subject to technical
amendments
Form #: 00000000