

Precision Wirewound Potentiometer DP18 St Ff/Rs



With or without spring reset in central position or left-side fixing

The potentiometer DP18 has a reinforced glass fibre plastic housing of high thermal resistance and hardness.

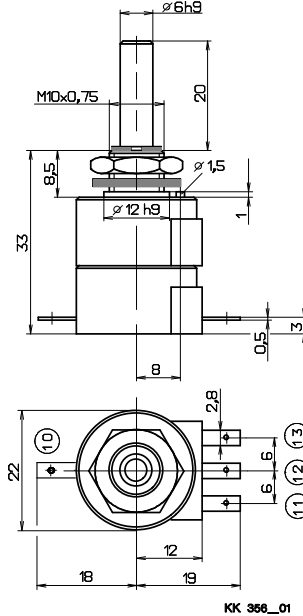
It can be additionally encapsulated and then achieves the protection class IP 67.

The potentiometer can be supplied with a shaft led through on the rear side and is also available as multiple version (stackable).



- mechanical data**
- 1.1 housing..... : reinforced glass fibre plastic
 - 1.2 shaft..... : stainless steel $\varnothing 6^{h9}$
 - 1.3 bearing..... : maintenance-free sliding bearing
 - 1.4 resistor element..... : precision wire winding
 - 1.5 slider tap / wiper tap..... : noble metal, single
 - 1.6 housing protection class..... : IP 60
 - 1.7 type of connection..... : blade terminal DIN 46342
 - 1.8 mounted by..... : central fixing M10 x 0,75
 - 1.9 mechanical rotation angle..... : according to table
 - 1.10 electrical rotation angle..... : according to table
 - 1.11 rotation speed..... : max. 60 rpm
 - 1.12 torque..... : reset 5 Ncm on average
 - 1.13 rotation load life..... : 1×10^5 slider path (360°)
 - 1.14 end-stop strength..... : 50 Ncm

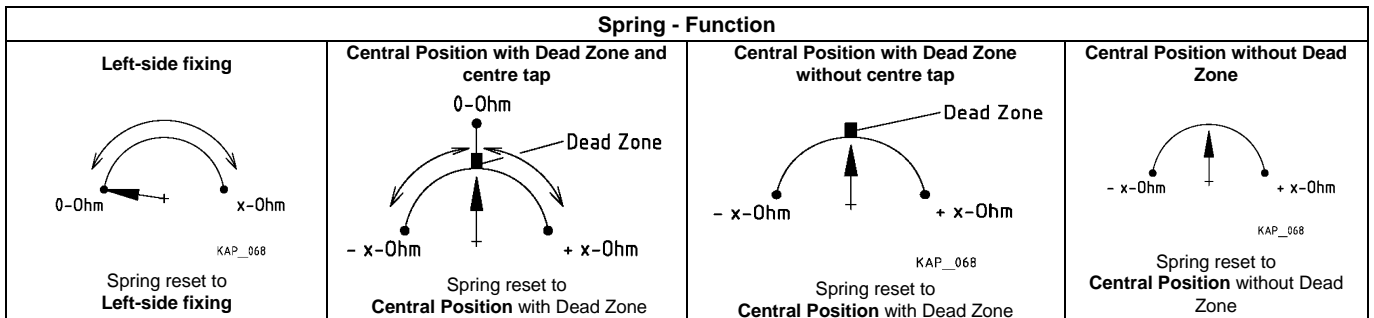
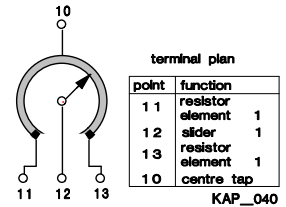
- electrical data**
- 2.1 resistance values, standard..... : 1 , 2 , 5 , 10 K-Ohm
 - 2.2 resistance values, max.possible.. : according to table
 - 2.3 resistance tolerance..... : $\pm 5\%$
 - 2.4 resolution at 5 K-Ohm / 330°..... : 0,15%
 - 2.5 max. starting / end resistance..... : 1% (of overall resistance => 1K)
 - 2.6 linearity tolerance..... : $\pm 1\%$
 - 2.7 insulation resistance..... : 20 M-Ohm
 - 2.8 test voltage..... : 500 V, 50 Hz
 - 2.9 operating voltage..... : max. 50 V
 - 2.10 power rating..... : max. 1,5 Watt
 - 2.11 slider load current..... : 1mA (max. load life)
 - 2.12 temperature range..... : -20°C till +100°C
 - 2.13 temperature coefficient..... : 20 ppm/°C



Options

- resistance tolerance $\pm 3\%$
- resistance tolerance $\pm 1\%$
- protection class upto IP67, shaft-side
- protection class upto IP67* complete protective housing
- needle bearing
- shaft: special length, led through on the rear side
- print connection
- limit switch
- scale 0 till 100%
- rotary knob
- terminal wires

Symmetry of the Dead Zone:
Resistance difference of the halves max. 1% of total resistance



Type	Options			
	Spring reset	Electrical rotation angle	Mechanical rotation angle*1	Resistance values max.
DP18 St Ff 2 x 60°	Central Position	2 x 60° ± 1°	2 x 62° ± 2°	10 K-Ohm
DP18 St Ff 2 x 90°		2 x 90° ± 1°	2 x 92° ± 2°	20 K-Ohm
DP18 St Ff 120°	Left-side fixing	120° ± 1°	124° + 4°	10 K-Ohm
DP18 St Ff 180°		180° ± 1°	184° + 4°	20 K-Ohm
DP18 D2 St Ff 2 x 60°	Central Position D2 (Tandem)	2 x 60° ± 1°	2 x 62° ± 2°	10 K-Ohm
DP18 D2 St Ff 2 x 90°		2 x 90° ± 1°	2 x 92° ± 2°	20 K-Ohm
DP18 D2 St Ff 120°	Left-side fixing D2 (Tandem)	120° ± 1°	124° + 4°	10 K-Ohm
DP18 St Rs	Centre locking (without spring reset up to max. 2x165° ± 1° / 2x165° ± 1°)			
DP18 St Rs	10-point Lock-in position 270° electr. Angle / 33 0° mechan. angle			
DP18 D2 Rs	Centre locking (without spring reset up to max. 2x165° ± 1° / 2x165° ± 1°)			

* Potentiometer housing encapsulated, protection class IP65/67, connections are free. Completely encapsulated potentiometers are supplied with cable and protective housing.

centre tap with Dead Zone +0,5° / -0,5°
centre tap with Dead Zone +1,5° / -1,5°
centre tap with Dead Zone +3° / -3°
centre tap with Dead Zone +6° / -6°

*1 2° overflow