

Precision - Wirewound - Potentiometer DP120 Ze KL

Central fixing M12x1



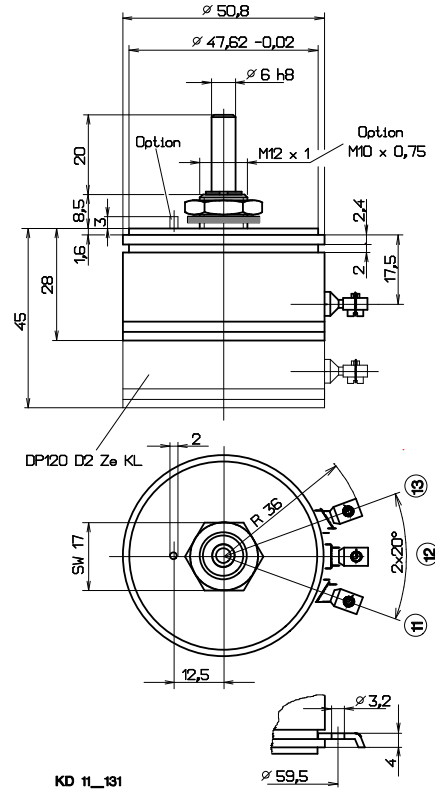
A potentiometer for harsh industrial conditions. The noble metal winding provides the highest protection against environmental conditions. The multiple tapper ensures a safe function. Available with solder connection as an option. Due to the ball bearing axial loads of 50 N can be taken up by the shaft in continuous operation. The potentiometer is through-rotating, but can also be provided with stops on request. To protect it against environmental influences, we offer installation in a protective housing. Different adapter plates for attachment facilitate the installation at the place of use. Shafts with special lengths can be manufactured individually for single units.

mechanical data

- 1.1 housing..... : aluminium
- 1.2 shaft..... : stainless steel $\varnothing 6^{h8}$
- 1.3 bearing..... : according to table
- 1.4 resistor element..... : noble metal winding
- 1.5 slider tap / wiper tap..... : noble metal, multiple
- 1.6 housing protection class..... : IP 64
- 1.7 type of connection..... : clamp connection
- 1.8 mounted by..... : central fixing M12x1
- 1.9 electrical angle of rotation..... : 345°
- 1.10 mechanical angle of rotation..... : standard throughrotation
- 1.11 rotation speed..... : max. 60 rpm
- 1.12 torque (M12)..... : 0,3 to 0,4 Ncm (D2: max. 1,0 Ncm)
- 1.13 torque (M10)..... : 0,5 to 0,8 Ncm
- 1.14 rotation load life..... : 10 x 10⁶ slider path (360°)

electrical data

- 2.1 resistance values, standard..... : 1, 2, 5, 10 K-Ohm
- 2.2 resistance values,max.possible : 90 K-Ohm
- 2.3 resistance tolerance..... : $\pm 3\%$
- 2.4 lowest starting resistance..... : 0,05% of overall resistance
- 2.5 linearity tolerance..... : $\pm 0,3\%$
- 2.6 insulation resistance..... : 20 M-Ohm
- 2.7 test voltage..... : 500 V, 50 Hz
- 2.8 operating voltage..... : max. 50 V
- 2.9 power rating..... : max. 3 Watt
- 2.10 slider load current..... : 1 mA (max., life)
- 2.11 temperature range..... : -50°C till +100°C
- 2.12 temperature coefficient..... : 20 ppm/°C



option: indexing pin

options

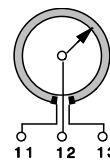
- short-circuit tracks
- centre tap
- rotation angle, electrical and mechanical
- resistance tolerance: $\pm 1\%$
- shaft: special length, continuous stops (rotation angle max. 350°)
- slip coupling
- protection class IP65
- protection class IP67 with cable connection only
- central fixing M10x0,75

accessories

- protective housing
- adapter plate
- bellows coupling
- pin coupling
- microswitch
- rotary knob
- scale

other types

- multiple version
- cable connection
- integrated measuring transducer: 0 / 4...20 mA or 0...10 VDC



terminal plan

point	function
11	winding
12	slider
13	winding

Order #	Type	Central fixing		Bearing
11 172	DP120 Ze KL	M 12 x 1	standard	ball bearing
11 170	DP120 D2 Ze KL	M 12 x 1	standard	ball bearing
11 350	central fixing M10x0,75	M 10 x 0,75	option	ball and sliding bearing

Sheet #: KE1166.doc

Amendment/ Print: 12.09.12 / 14.09.12

Order #: According to table

ALTMANN Potentiometer

Herringhauser Straße 29
32051 Herford - Germany

P.O. Box 11 42
32001 Herford - Germany

Phone: 05221/3404-0
Fax : 05221/3404-29

www.altmann-gmbh.de
eMail: info@altmann-gmbh.de

Subject to technical
amendments Form.#: 00000000