

Precision - Wirewound - Potentiometer DP120 Sy KL

Synchro flange 20



A potentiometer for harsh industrial conditions. The noble metal winding provides the highest protection against environmental conditions. The multiple taper ensures a safe function. Available with solder connection as an option. Due to the ball bearing axial loads of 50 N can be taken up by the shaft in continuous operation. The potentiometer is through-rotating, but can also be provided with stops on request. To protect it against environmental influences we offer installation in a protective housing. Different adapter plates for attachment facilitate the installation at the place of use. Shafts with special lengths can be manufactured individually for single units.

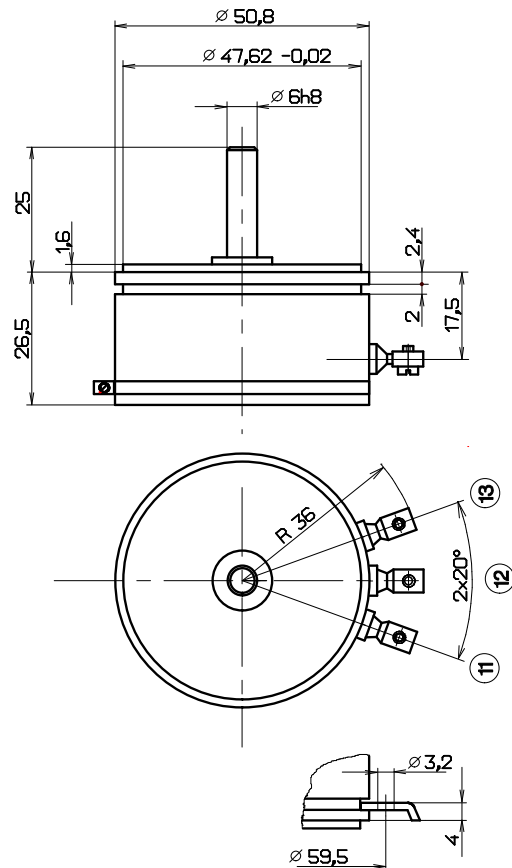


mechanical data

- 1.1 housing..... : aluminium
- 1.2 shaft..... : stainless steel $\varnothing 6^{h8}$
- 1.3 bearing..... : ball bearing
- 1.4 resistor element..... : noble metal winding
- 1.5 slider tap / wiper tap..... : noble metal, multiple
- 1.6 housing protection class..... : IP 64
- 1.7 type of connection..... : clamp connection
- 1.8 mounted by..... : clamping claws
- 1.9 electrical rotation angle..... : 345°
- 1.10 mechanical rotation angle..... : standard throughrotation
- 1.11 rotation speed..... : max. 60 rpm
- 1.12 torque..... : 0,3 to 0,4 Ncm
(IP67: 0,8 to 1,2 Ncm)
- 1.13 rotation load life..... : 10×10^6 slider path (360°)
- 1.14 end-stop strength..... : 50 Ncm

electrical data

- 2.1 resistance values, standard..... : 1, 2, 5, 10 K-Ohm
- 2.2 resistance values,max.possible.. : 90 K-Ohm
- 2.3 resistance tolerance..... : $\pm 3\%$
- 2.4 lowest starting resistance..... : 0,05% of overall resistance
- 2.5 linearity tolerance..... : $\pm 0,3\%$
- 2.6 insulation resistance..... : 20 M-Ohm
- 2.7 test voltage..... : 500 V, 50 Hz
- 2.8 operating voltage..... : max. 50 V
- 2.9 power rating..... : max. 3 Watt
- 2.10 slider load current..... : 1 mA (max., life)
- 2.11 temperature range..... : -50°C till $+100^\circ\text{C}$
- 2.12 temperature coefficient..... : 20 ppm/ $^\circ\text{C}$



options

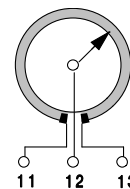
short-circuit tracks
centre tap
rotation angle, electrical and mechanical
torque 0,1 to 0,2 Ncm
resistance tolerance: $\pm 1\%$
shaft: special length, continuous stops (rotation angle max. 350°)
slip coupling
protection class IP65
protection class IP67 with cable connection only

accessories

protective housing
adapter plate
bellows coupling
pin coupling
microswitch
rotary knob
scale

other types

multiple version
cable connection
integrated measuring transducer
0/4...20 mA



terminal plan

point	function
11	winding
12	slider
13	winding

ALTMANN Potentiometer

Herringhauser Straße 29
32051 Herford - Germany

P.O. Box 11 42
32001 Herford - Germany

Phone: 05221/3404-0
Fax : 05221/3404-29

www.altmann-gmbh.de
eMail: info@altmann-gmbh.de

Sheet #: KE1160.DOC

Amendment/ Print: 24.07.13 / 07.08.13

Order #:

Subject to technical
amendments Form.#: 00000000