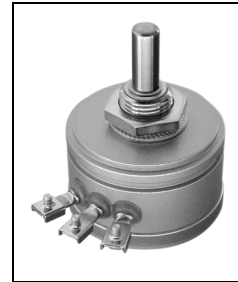


Precision - Wirewound - Potentiometer DP113 Ze

Central fixing M12x1



A precision potentiometer with central fixing for plant and machinery construction. The noble metal winding and the multiple taper provide a safe function also at adverse environmental conditions. Due to the ball bearing axial loads of 5 kp can be taken up by the shaft in continuous operation. The potentiometer is through-rotating, but can also be provided with stops on request. Optionally it can be provided with an oil filling. To protect it against environmental influences we offer installation in a protective housing. Different adapter plates for attachment facilitate the installation at the place of use. Shafts with special lengths can be manufactured individually for single units.



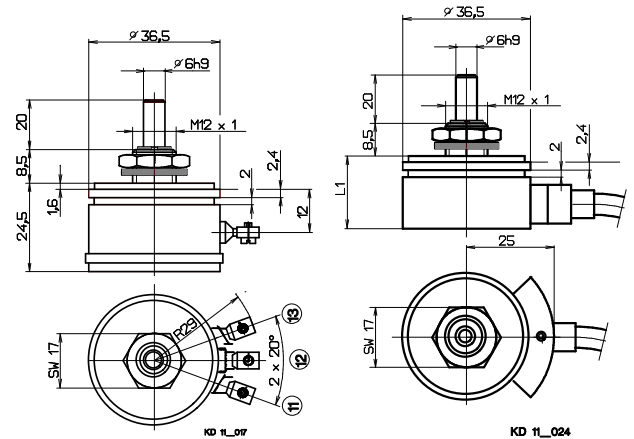
clamp connection



cable connection

mechanical data

- 1.1 housing..... : aluminium
- 1.2 shaft..... : stainless steel $\varnothing 6^h9$
- 1.3 bearing..... : ball bearing / needle bearing
- 1.4 resistor element..... : up to 5 K-Ohm noble metal winding
: > 5 K-Ohm precision wire winding
- 1.5 slider tap / wiper tap..... : noble metal, multiple (single with high-impedance resistance)
- 1.6 housing protection class..... : IP 64
- 1.7 type of connection..... : according to table
- 1.8 mounted by..... : central fixing M12x1
- 1.9 electrical rotation angle..... : $345^\circ - 1^\circ + 2^\circ$
- 1.10 mechanical rotation angle..... : standard throughrotation
- 1.11 rotation speed..... : max. 60 rpm
- 1.12 torque..... : according to table
- 1.13 rotation load life..... : 10×10^6 slider path (360°)
- 1.14 end-stop strength..... : 50 Ncm



electrical data

- 2.1 resistance values, standard..... : 1, 2, 5, 10 K-Ohm
- 2.2 resistance values,max.possible.. : 50 K-Ohm
- 2.3 resistance tolerance..... : $\pm 3\%$
- 2.4 lowest starting resistance..... : 0,05% of overall resistance
- 2.5 linearity tolerance..... : $\pm 0,3\%$
- 2.6 insulation resistance..... : 20 M-Ohm
- 2.7 test voltage..... : 500 V, 50 Hz
- 2.8 operating voltage..... : max. 50 V
- 2.9 power rating..... : max. 2 Watt
- 2.10 slider load current..... : 1 mA (max., load life)
- 2.11 temperature range..... : -50°C till $+100^\circ\text{C}$
- 2.12 temperature coefficient..... : 20 ppm/ $^\circ\text{C}$

Option	L1 mm	Torque Ncm
Standard (Ka)	20,6	till 0,4
Standard (KL)	24,5	till 0,4
standard with shaft on both sides	24,5	till 1,2
oil filling	26	till 2,5
sensor	38,5	till 0,4
internal slip coupling	---	till 3,5
end stop stage	46	6 till 13
latching function	46	15 till 25

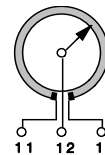
options

multiple version
integrated measuring transducer
0/4...20 mA or 0...10 VDC
short-circuit tracks
centre tap
central fixing M10x0,75
rotation angle, electrical and mechanical

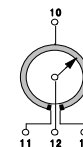
resistance tolerance: $\pm 1\%$
shaft: special length, continuous stops (rotation angle max. 345°)
slip coupling
protection class IP65
protection class IP67 with cable connection only
oil filling

accessories

padapter plate
bellows coupling
pin coupling
microswitch
rotary knob
scale



point	function	colour
11	winding 1	brown
12	slider 1	white
13	winding 1	green



point	function	colour
11	winding 1	brown
12	slider 1	white
13	winding 1	green
10	centre tap	yellow

Centre tap
+0,5° / -0,5°
+1,5° / -1,5°
+3° / -3°
+6° / -6°

Type	Option
DP113 Ze KL	clamp connection
DP113 Ze Ka	3m cable
---	internal slip coupling

Sheet #: KE1122.DOC

Amendment/ Print: 27.05.13 / 04.06.13

ALTMANN Potentiometer

Herringhauser Straße 29
32051 Herford - Germany

P.O. Box 11 42
32001 Herford - Germany

Phone: 05221/3404-0
Fax: 05221/3404-29

www.altmann-gmbh.de
eMail: info@altmann-gmbh.de

Subject to technical
amendments Form.#: 00000000