

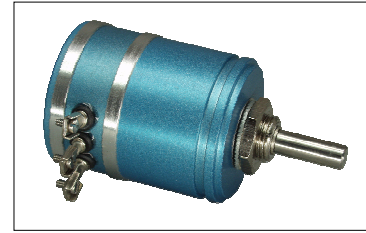
# Precision - Wirewound - Potentiometer DP113 Ze Hv KL

Central fixing M12x1



This robust Precision-Wirewound-Potentiometer is specifically designed for the use as manually adjustable potentiometer (setpoint adjuster) in harsh industrial conditions (plant and machinery construction).

Various scales and control knobs can be supplied as accessories.



0404-DP113 Ze Hv KL-00789-2

### mechanical data

- 1.1 housing..... : aluminium
- 1.2 shaft..... : stainless steel  $\varnothing 6^{h9}$
- 1.3 bearing..... : maintenance-free sliding bearing
- 1.4 resistor element..... : precision wire winding
- 1.5 slider tap / wiper tap..... : noble metal, single
- 1.6 housing protection class..... : IP 64
- 1.7 type of connection..... : clamp connection
- 1.8 mounted by..... : central fixing M12 x 1
- 1.9 electrical rotation angle..... :  $330^\circ -1^\circ +2^\circ$  (for locking at the beginning:  $320^\circ$ )
- 1.10 mechanical rotation angle..... :  $330^\circ +2^\circ$
- 1.11 rotation speed..... : max. 60 rpm
- 1.12 torque / adjusting function..... : 6 to 13 Ncm (at M10x0,75: 3 to 6 Ncm)
- 1.13 torque / locking function..... : 15 to 25 Ncm ( option )
- 1.14 rotation load life..... :  $1 \times 10^6$  slider path ( $360^\circ$ )
- 1.15 end-stop strength..... : 150 Ncm

### electrical data

- 2.1 resistance values, standard..... : 1, 2, 5, 10 K-Ohm
- 2.2 resistance values, max.possible : 50 K-Ohm
- 2.3 resistance tolerance..... :  $\pm 3\%$
- 2.4 lowest starting resistance..... : 0,05% of overall resistance
- 2.5 linearity tolerance..... :  $\pm 0,3\%$
- 2.6 insulation resistance..... : 20 M-Ohm
- 2.7 test voltage..... : 500 V, 50 Hz
- 2.8 operating voltage..... : max. 50 V
- 2.9 power rating..... : max. 2 Watt
- 2.10 slider load current..... : 1 mA ( max., load life )
- 2.11 temperature range..... :  $-50^\circ\text{C}$  till  $+100^\circ\text{C}$
- 2.12 temperature coefficient..... : 20 ppm/ $^\circ\text{C}$

### options

- short-circuit tracks
- centre tap
- electrical angle of rotation max.  $330^\circ$
- mechanical angle of rotation max.  $330^\circ$
- resistance tolerance:  $\pm 1\%$
- shaft: special length, continuous
- slip coupling
- protection class IP65
- oil filling

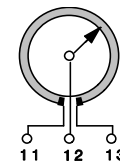
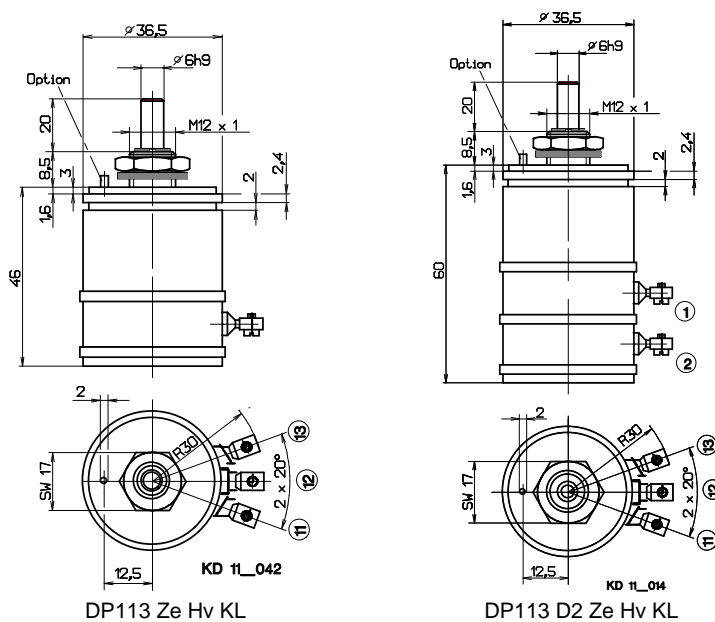
### other types

- multiple version
- cable connection
- integrated measuring transducer
- 0/4...20 mA or 0...10 VDC

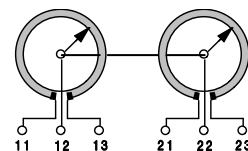
### accessories

- protective housing
- adapter plate
- bellows coupling
- pin coupling
- microswitch
- rotary knob
- scale

Option
middle-position locking DP113
locking at the beginning DP113



point	function
11	winding
12	slider
13	winding



point	function
11	winding 1
12	slider 1
13	winding 1
21	winding 2
22	slider 2
23	winding 2

Sheet #: KE1127.DOC

Amendment/ Print: 29.07.13 / 13.08.13

### ALTMANN Potentiometer

Herringhauser Straße 29  
32051 Herford - Germany

P.O. Box 11 42  
32001 Herford - Germany

Phone: 05221/3404-0  
Fax : 05221/3404-29

www.altmann-gmbh.de  
eMail: [info@altmann-gmbh.de](mailto:info@altmann-gmbh.de)

Subject to technical  
amendments Form.#: 00000000