

Precision - Wirewound - Potentiometer DP113 D3 Ze Sp KL

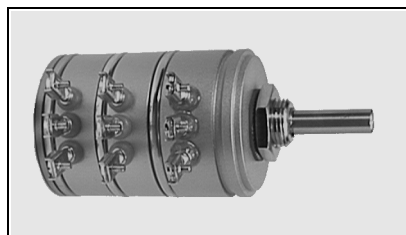
Multiple version

central fixing M12x1, clamp connection

ALTMANN

www.potentiometer.de

A potentiometer for harsh industrial conditions. The noble metal winding provides the highest protection against environmental conditions. The multiple taper ensures a safe function. Available with soldered connections as an option. Axial loads of 5 kp can be taken up by the shaft on account of the needle bearing. The potentiometer can turn through a full revolution, but can also be provided with stops on request. The potentiometer can be provided with an oil filling optionally. To protect against environmental influences, we offer installation in a protective housing. Different adapter plates for attachment facilitate the installation at the place of use. Shafts with special lengths can be manufactured individually for single units.

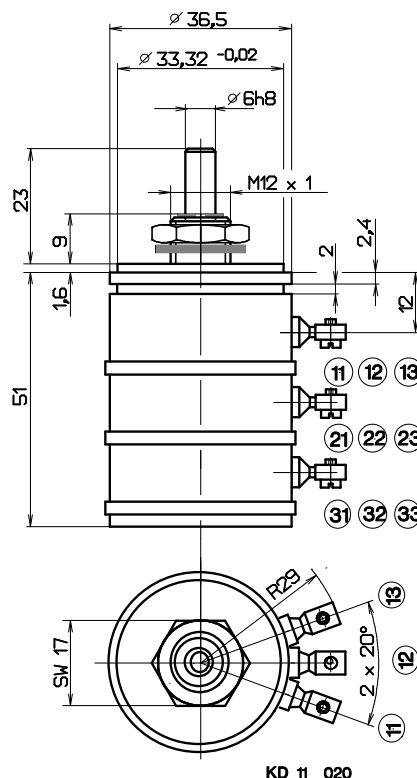


mechanical data

- 1.1 housing..... : aluminium
- 1.2 shaft..... : stainless steel $\varnothing 6^{\text{h}8}$
- 1.3 bearing..... : needle bearing
- 1.4 resistor element..... : noble metal winding
- 1.5 slider tap / wiper tap..... : noble metal, multiple
- 1.6 housing protection class..... : IP 64
- 1.7 type of connection..... : clamp connection
- 1.8 mounted by..... : central fixing M12x1
- 1.9 electrical travel..... : 345°
- 1.10 mechanical travel..... : standard throughrotation
- 1.11 rotation speed..... : max. 60 r/min.
- 1.12 torque..... : 0,3 to 0,4 Ncm
- 1.13 rotation load life..... : 10×10^6 slider travel (360°)

electrical data

- 2.1 resistance values, standard..... : 1, 2, 5, 10 K-Ohm
- 2.2 resistance values,max.possible : 60 K-Ohm
- 2.3 resistance tolerance..... : $\pm 3\%$
- 2.4 lowest starting resistance..... : 0,05% of overall resistance
- 2.5 linearity tolerance..... : $\pm 0,3\%$
- 2.6 insulation resistance..... : 20 M-Ohm
- 2.7 test voltage..... : 500 V, 50 Hz
- 2.8 operating voltage..... : max. 50 V
- 2.9 power rating..... : max. 2 Watt
- 2.10 slider / wiper load current..... : max. 100 mA
- 2.11 temperature range..... : -50°C till $+100^\circ\text{C}$
- 2.12 temperature coefficient..... : 20 ppm/ $^\circ\text{C}$



each step 14 mm

options

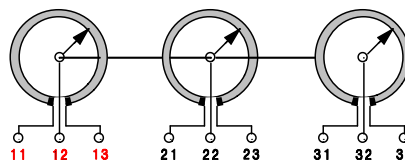
short-circuit left taps
 angle of rotation, electrical and mechanical
 resistance tolerance: $\pm 1\%$
 linearity: min. 0,1%
 shaft: special length, continuous stops (rotation angle max. 345°)
 slip coupling
 protection IP65
 oil filling
 torque 0,1 to 0,2 Ncm

accessories

outer housing
 adapter plate
 bellows coupling
 pin coupling
 microswitch
 rotary knob
 scale

other types

cable connection
 plug connection
 integral measuring transducer
 0..20 mA or 4..20 mA



terminal plan

point	function
11	resistor element 1
12	slider 1
13	resistor element 1
21	resistor element 2
22	slider 2
23	resistor element 2
31	resistor element 3
32	slider 3
33	resistor element 3