

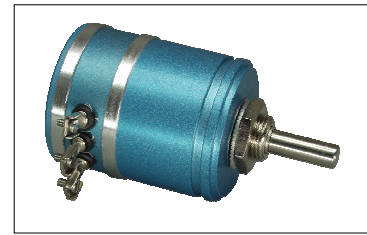
Precision - Wirewound - Potentiometer DP113 Ze Hv Ff KL

Central fixing M12x1



This robust Precision Wirewound Potentiometer is specifically designed for the use as manually adjustable potentiometer (setpoint adjuster) in harsh industrial conditions (plant and machinery construction).

Various scales and control knobs can be supplied as accessories.



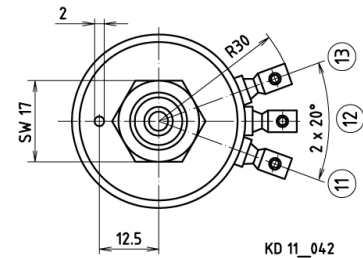
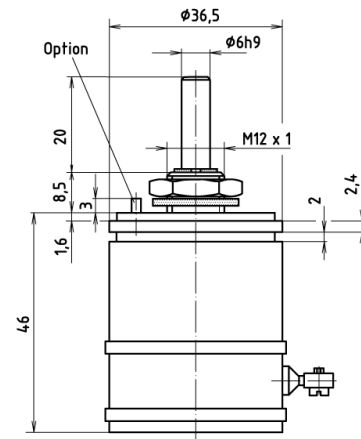
0404-DP113 Ze Hv KL-00789-2

mechanical data

- 1.1 housing..... : aluminium
- 1.2 shaft..... : stainless steel $\phi 6^{h9}$
- 1.3 bearing..... : maintenance-free sliding bearing
- 1.4 resistor element..... : precision wire winding
- 1.5 slider tap / wiper tap..... : noble metal, single
- 1.6 housing protection class..... : IP 64
- 1.7 type of connection..... : clamp connection
- 1.8 mounted by..... : central fixing M12 x 1
- 1.9 electrical rotation angle..... : according to table
- 1.10 mechanical rotation angle..... : according to table
- 1.11 rotation speed..... : max. 60 rpm
- 1.12 torque..... : 4 till 6 Ncm
- 1.13 spring reset..... : central position
- 1.14 rotation load life..... : 1 x 10⁵ slider path
- 1.15 end-stop strength..... : 150 Ncm

electrical data

- 2.1 resistance values, standard..... : 1, 2, 5, 10 K-Ohm
- 2.2 resistance values, max. possible.. : according to table
- 2.3 resistance tolerance..... : $\pm 3\%$
- 2.4 lowest starting resistance..... : 0,05% of overall resistance
- 2.5 linearity tolerance..... : $\pm 0,3\%$
- 2.6 insulation resistance..... : 20 M-Ohm
- 2.7 test voltage..... : 500 V, 50 Hz
- 2.8 operating voltage : max. 50 V
- 2.9 power rating..... : max. 2 Watt
- 2.10 slider load current..... : 1 mA (max., load life)
- 2.11 temperature range..... : -50°C till +100°C
- 2.12 temperature coefficient..... : 20 ppm/°C



KD 11_042

Basic type/ Construction set	Type	Options			
		Spring reset	Electrical rotation angle	Mechanical rotation angle	Resistance values max.
Basic type	DP113 Ze Hv Ff KL				
Construction set	DP113 Ze Hv Ff 2 x 60°	Central position	2 x 60° ± 1°	2 x 62° ± 1°	20 K-Ohm
Construction set	DP113 Ze Hv Ff 2 x 90°		2 x 90° ± 1°	2 x 92° ± 1°	30 K-Ohm
Construction set	DP113 Ze Hv Ff 180°	Left-side-fixi ng	180° ± 1°	184° ± 1°	30 K-Ohm

options

short-circuit tracks
centre taps
resistance tolerance: $\pm 1\%$
shaft: special length, continuous
slip coupling
protection class IP65
oil filling

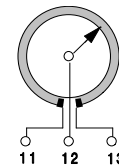
accessories

protective housing
adapter plate
bellows coupling
pin coupling
micro switch
rotary knob
scale

other types

multiple version
cable connection

integrated measuring transducer
0/4...20 mA or 0...10VDC



terminal plan

point	function
11	winding
12	slider
13	winding

Sheet #: KE1131.doc

Amendment / Print: 25.04.13 / 07.05.13

ALTMANN Potentiometer

Herringhauser Straße 29
32051 Herford

P.O. Box 11 42
32001 Herford - Germany

Phone 05221/3404-0
Fax: 05221/3404-29

www.altmann-gmbh.de
eMail: info@altmann-gmbh.de

Subject to technical
amendments Form.#: Am04-10