

Precision – Multi-Turn - Potentiometer DMG23 Ze

Central fixing M10 x 0,75, synchro flange 13, maintenance-free sliding bearing, for mechanical adjustment, hybrid element



The series DMG23 is equipped with a maintenance-free sliding bearing.

The Multi-Turn - Potentiometer is a precise, highly accurate setpoint- and actual value transmitter for harsh industrial conditions.

With the optional protection class IP65 the DMG23 is especially well suited for the use in adverse environmental conditions.



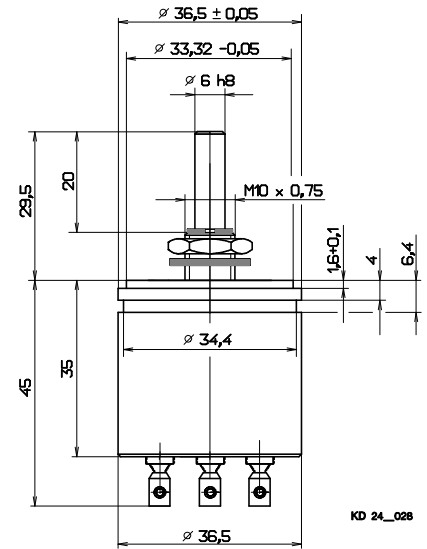
51640010

mechanical data

- 1.1 housing..... : aluminium
- 1.2 shaft..... : stainless steel ϕ^h_8
- 1.3 bearing..... : maintenance-free sliding bearing
- 1.4 resistor element..... : precision wire winding or hybrid element
- 1.5 slider tap / wiper tap..... : noble metal
- 1.6 housing protection class : IP 62
- 1.7 type of connection..... : according to illustration
- 1.8 mounted by..... : central fixing M10 x 0,75
- 1.9 mechanical rotation angle..... : according to table +10°
- 1.10 electrical rotation angle..... : according to table
- 1.11 rotation speed..... : max. 120 rpm
- 1.12 torque..... : 0,5 to 0,8 Ncm
- 1.13 rotation load life..... : 1×10^6 (Hy=5 x 10^6) slider path

electrical data

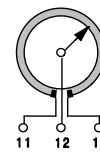
- 2.1 resistance values, standard..... : 1, 2, 5, 10 K-Ohm
- 2.2 resistance range..... : 1K...100K-Ohm
- 2.3 resistance tolerance..... : $\pm 5\%$ precision wire, $\pm 10\%$ hybrid
- 2.4 linearity tolerance..... : $\pm 0,25\%$
- 2.5 insulation resistance..... : 1000 M-Ohm
- 2.6 test voltage..... : 1000 V
- 2.7 power rating..... : max. 2 Watt
- 2.8 slider load current..... : precision wire max. 20mA, hybrid element max.10mA
- 2.9 temperature range..... : -25°C till +85°C
- 2.10 temperature coefficient..... : 150 ppm/°C



KD 24_028


Type		Turn (rotation angle)	Watt
DMG23 / 10 Ze	precision wire	10 – turn (3600°)	2,0
DMG23 / 10 Ze Hy	hybrid element		
DMG23 / 05 Ze	precision wire	5 – turn (1800°)	1,5
DMG23 / 03 Ze	precision wire	3 – turn (1080°)	1,0

terminal plan

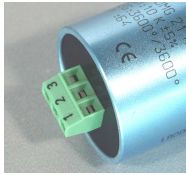


point	function	colour
11	winding 1	brown
12	slider 1	white
13	winding 1	green


Option – type of connection



solder connection
DMG23



terminal block
DMG23



cable connection
DMG23

Options

protection class IP65
protection class IP67
shaft and central fixing in inch
terminal wires

Hy = resistor element hybrid (not available in 2K-Ohm)

Sheet #: KE2412.DOC

Amendment/ Print: 23.09.13 / 07.10.13

ALTMANN Potentiometer

Herringhauser Straße 29
32051 Herford - Germany

P.O. Box 11 42
32001 Herford - Germany

Phone: 05221/3404-0
Fax : 05221/3404-29

www.altmann-gmbh.de
eMail: info@altmann-gmbh.de

Subject to technical
amendments Form.#: 00000000