

Precision – Multi–Turn Potentiometer DMG23 D2 Ze



Central fixing M10 x 0,75, synchro flange # 13, maintenance-free sliding bearing, for mechanical adjustment

The series DMG23 is equipped with a maintenance-free sliding bearing.

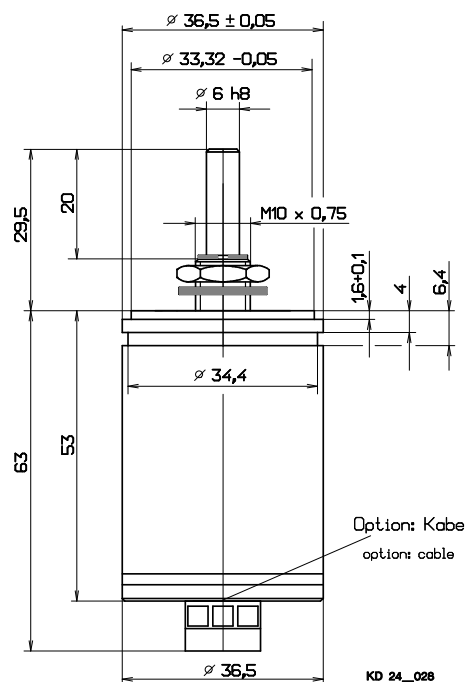
The Multi-Turn Potentiometer is a precise, highly accurate setpoint- and actual value transmitter for harsh industrial conditions. With the optional protection class IP65 the DMG23 is especially well suited for the use in adverse environmental conditions.

mechanical data

- 1.1 housing..... : aluminium
- 1.2 shaft..... : stainless steel $\phi 6^{h8}$
- 1.3 bearing..... : maintenance-free sliding bearing
- 1.4 resistor element..... : precision wire winding
- 1.5 slider tap / wiper tap..... : noble metal
- 1.6 housing protection class..... : IP62
- 1.7 type of connection..... : terminal block, option cable
- 1.8 mounted by..... : central fixing M10 x 0,75
- 1.9 mechanical rotation angle..... : according to table +10°
- 1.10 electrical rotation angle..... : according to table
- 1.11 rotation speed..... : max. 120 rpm
- 1.12 torque..... : 0,5 to 0,8 Ncm
- 1.13 rotation load life..... : 1 x 10⁶ slider path

electrical data

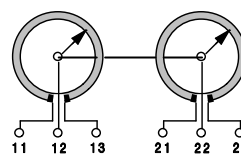
- 2.1 resistance values, standard..... : 1, 2, 5, 10 K-Ohm
- 2.2 resistance range..... : 1K...100K-Ohm
- 2.3 resistance tolerance..... : $\pm 5\%$ precision wire winding
- 2.4 linearity tolerance..... : $\pm 0,25\%$
- 2.5 insulation resistance..... : 1000 M-Ohm
- 2.6 test voltage..... : 1000 V
- 2.7 power rating..... : max. 2 Watt
- 2.8 slider load current..... : precision wire max. 20mA,
hybrid element max.10mA
- 2.9 temperature range..... : -25°C till +85°C
- 2:10 temperature coefficient..... : 150 ppm/°C



Option: Kabel
option cable

KD 24_028

terminal plan



point	function	colour
11	winding 1	brown
12	slider 1	white
13	winding 1	green
21	winding 2	pink
22	slider 2	yellow
23	winding 2	grey

Type	Turn	Mech. angle	Electr. angle
DMG23 / 03 D2 Ze Rk	3 - turn	1080°	1080°
DMG23 / 05 D2 Ze Rk	5 - turn	1800°	1800°
DMG23 / 10 D2 Ze Rk	10 - turn	3600°	3600°

Options

protection class IP65
protection class IP67

Sheet #: KE2414

Amendment / Print: 23.09.13 / 07.10.13

Order #: according to table

ALTMANN Potentiometer

Herringhauser Straße 29
32051 Herford - Germany

P.O. Box 11 42
32001 Herford - Germany

Phone: 05221/3404-0
Fax: 05221/3404-29

www.altmann-gmbh.de
eMail: info@altmann-gmbh.de

Subject to technical amendments
Form.#: Am04-10