

Precision – Multi-Turn - Potentiometer DMG22 Ze

Central fixing M10 x 0,75 - maintenance-free sliding bearing,
for mechanical adjustment, with resistor element precision wire or hybrid



The Precision – Multi-Turn - Potentiometer DMG22 is offered in the version with precision resistance wire winding or hybrid element.

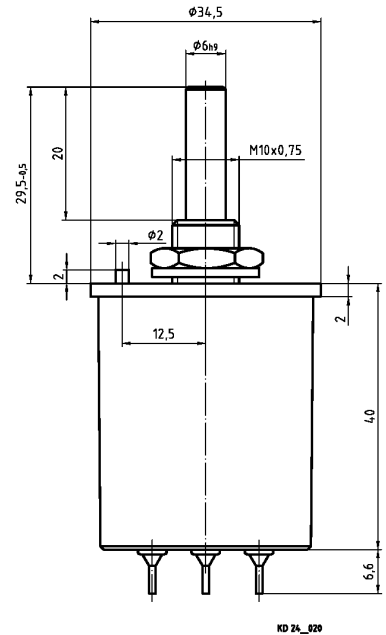
The hybrid element meets the requirements of highest accuracy, an almost endless resolution and an extremely long lifetime. The DMG22 is used as an excellent actual value transmitter for plant and machinery construction, as well as highend setpoint- and actual value transmitter for apparatus construction and toolbuilding.

mechanical data

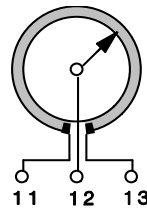
- 1.1 housing..... : reinforced glass fibre plastic
- 1.2 shaft..... : stainless steel $\phi 6^{H9}$
- 1.3 bearing..... : maintenance-free sliding bearing
- 1.4 resistor element..... : precision wire winding or hybrid
- 1.5 slider tap / wiper tap..... : single
- 1.6 housing protection class : IP 60
- 1.7 type of connection..... : according to illustration
- 1.8 mounted by..... : central fixing M10 x 0,75
- 1.9 mechanical rotation angle..... : according to table +10°
- 1.10 electrical rotation angle..... : according to table
- 1.11 rotation speed..... : max. 120 rpm
- 1.12 torque..... : 0,5 to 0,8 Ncm
- 1.13 rotation load life..... : according to table

electrical data

- 2.1 resistance values, standard..... : 1, 2, 5, 10 K-Ohm
- 2.2 resistance range..... : 1K...100K-Ohm
- 2.3 resistance tolerance..... : precision wire $\pm 5\%$, hybrid $\pm 10\%$
- 2.4 linearity tolerance..... : $\pm 0,25\%$
- 2.5 insulation resistance..... : 1000 M-Ohm
- 2.6 test voltage..... : 1000 V
- 2.7 power rating..... : according to table
- 2.8 slider load current..... : precision wire max. 20mA, hybrid element max.10mA
- 2.9 temperature range..... : -25°C till +125°C
- 2.10 temperature coefficient..... : precision wire winding 50 ppm/°C, hybrid 100 ppm/°C




Type		Turn (rotation angle)	Watt	Rotation load life
DMG22 / 10 Ze	precision wire	10 – turn (3600°)	2,0	1 x 10 ⁶
DMG22 / 10 Ze Hy	hybrid element			5 x 10 ⁶
DMG22 / 05 Ze	precision wire	5 – turn (1800°)	1,5	5 x 10 ⁵
DMG22 / 03 Ze	precision wire	3 – turn (1080°)	1,0	3 x 10 ⁵



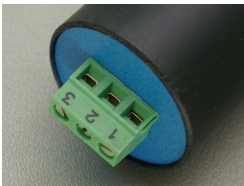
terminal plan

point	function
1 1	winding
1 2	slider
1 3	winding

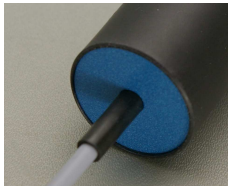
Option – type of connection



solder connection DMG22



terminal block DMG22



cable connection DMG22

up to protection class IP67
shaft and central fixing in inch

Hy = resistor element hybrid (not available in 2K-Ohm)

Sheet #: KE2410.doc

Amendment/ Print: 23.09.13 / 07.10.13

ALTMANN Potentiometer

Herringhauser Straße 29
32051 Herford - Germany

P.O. Box 11 42
32001 Herford - Germany

Phone: 05221/3404-0
Fax : 05221/3404-29

www.altmann-gmbh.de
eMail: info@altmann-gmbh.de

Subject to technical
amendments Form.#: 00000000